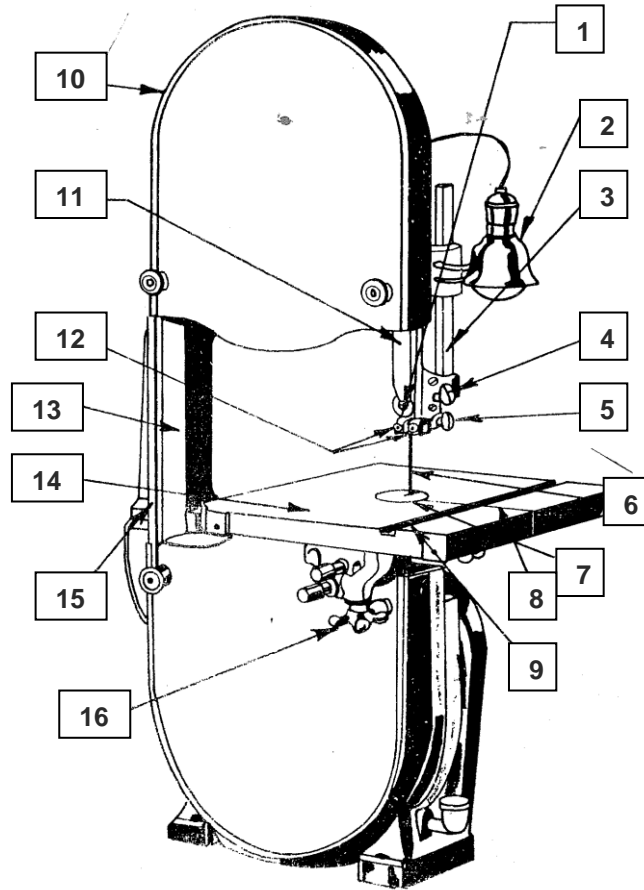


## Band Saw Identification and Safety Packet

Part 1: Identify the numbered parts on the saw illustrated below.



1. \_\_\_\_\_

9. \_\_\_\_\_

2. \_\_\_\_\_

10. \_\_\_\_\_

3. \_\_\_\_\_

11. \_\_\_\_\_

4. \_\_\_\_\_

12. \_\_\_\_\_

5. \_\_\_\_\_

13. \_\_\_\_\_

6. \_\_\_\_\_

14. \_\_\_\_\_

7. \_\_\_\_\_

15. \_\_\_\_\_

8. \_\_\_\_\_

16. \_\_\_\_\_

## **Part 2: Safe Operational Procedure**

1. Adjust the upper guard and guide about 1/8" to 1/4" above material to be cut.
2. Select proper blade width. No cutting radius should be too small for the blade. General rules regarding minimum radius cuts by blade width:

Blade width	Minimum Radius
3/4"	1 3/4"
1/2"	1 1/4"
3/8"	1"
1/4"	3/4"
3/16"	1/2"
1/8"	1/4"

3. Keep blades sharp and properly set. If blade leads or wanders to one side, it may be dull, unevenly set, or a guide may be improperly set. Blade guides should be 1/32" from the blade on each side.
4. Keep floor and surrounding area free of scrap that might cause tripping.
5. Be sure saw is properly grounded.
6. Keep all guards in place at all times.
7. Get someone to assist in operations, which are not safely handled alone.
8. Make all adjustments with the power off and blade stopped.
9. Keep hands a safe distance from moving parts, never closer than 2 inches from the blade.
10. Give undivided attention to the job. The operator should be the only one inside the safety zone area.
11. Use a push block when sawing small stock.
12. Never reach around a moving blade.
13. When making a cut, do not place hands in line with the cutting edge.
14. Never attempt to remove small pieces of wood from near the blade while the saw is running.
15. Never leave a running saw unattended.
16. When finished cutting, shut off the switch and disconnect machine from power source. Do not leave the safety zone until the blade comes to a complete stop.
17. Blade tracking should be adjusted so that the blade runs on the center of the wheel.

**Part 3: Completion Questions**

1. Use only a sharp blade with proper \_\_\_\_\_ for the radius being cut.
2. When the blade is properly installed, the teeth should point \_\_\_\_\_.
3. The blade support guide should be adjusted so it runs \_\_\_\_\_ of an inch from the blade.
4. Keep hands at least \_\_\_\_\_ inches from the blade.
5. Use a \_\_\_\_\_ when sawing small stock.
6. Adjust the upper guide about \_\_\_\_\_ inches above the material being cut.
7. Properly adjust the blade tracking so it will run in the \_\_\_\_\_ of the upper wheel.
8. Move the upper guide only while the saw is \_\_\_\_\_.
9. The smallest radius that can be safely cut with a 1/2" wide blade is \_\_\_\_\_ inches.
10. A dull or improperly set blade will cause the blade to \_\_\_\_\_ one side on the work piece.